

# ROUGH TERRAIN CRANE

## TR-250M

### *JAPANESE SPECIFICATIONS*

OUTLINE	SPEC. NO.
4-section Boom, 2-stage Power Tilt Jib	TR-250M-5-00107

Control No. JA-03

# TR-250M

## CRANE SPECIFICATIONS

### CRANE CAPACITY

9.5m Boom	25,000kg	at 3.5m	( 8 part-line)
16.5m Boom	19,000kg	at 4.0m	( 6 part-line)
23.5m Boom	12,500kg	at 5.0m	( 4 part-line)
30.5m Boom	7,000kg	at 8.0m	( 4 part-line)
8.0m Jib	3,000kg	at 72°	( 1 part-line)
13.0m Jib	2,000kg	at 76°	( 1 part-line)
Single top	3,000kg		( 1 part-line)

### MAX. LIFTING HEIGHT

Boom	31.3m
Jib	44.2m

### MAX. WORKING RADIUS

Boom	28.0m
Jib	35.0m

### BOOM LENGTH

9.5m – 30.5m

### BOOM EXTENSION

21.0m

### BOOM EXTENSION SPEED

21.0m / 90s

### JIB LENGTH

8.0m, 13.0m

### MAIN WINCH SINGLE LINE SPEED

120m/min (4th layer)

### MAIN WINCH HOOK SPEED

15.0 m/min (8 part-line)

### AUXILIARY WINCH SINGLE LINE SPEED

120m/min (4th layer)

### AUXILIARY WINCH HOOK SPEED

120m/min (1 part-line)

### BOOM ELEVATION ANGLE

0° – 83°

### BOOM ELEVATION SPEED

0° – 83° / 43s

### SWING ANGLE

360° continue

### SWING SPEED

3.0 rpm

### WIRE ROPE

Main Winch	16mm × 170m (Diameter×Length)
	Spin-resistant wire rope
Auxiliary Winch	16mm × 95m (Diameter×Length)
	Spin-resistant wire rope

### BOOM

4-section hydraulically telescoping boom of box construction.  
(stage 2: sequential; stages 3,4: synchronized)

### BOOM EXTENSION

2 double-acting hydraulic cylinder  
1 wire rope type telescoping device

### JIB

Quick-turn type (2-staged type which stores alongside below the base boom section and extendible from under the boom (with 2nd stage being a pull-out type))  
Hydraulic non-stage offset (5°-45°) type

### SINGLE TOP

Single sheave. Mounted to main boom head for single line work.

### HOIST

Driven by hydraulic motor and via spur gear speed reducer. With free-fall device.

(with operation lever lock device for prevention of misoperation)

Automatic brake (with foot brake for free-fall device)

2 single winches

With flow regulator valve with pressure compensation

### BOOM ELEVATION

1 double-acting hydraulic cylinders

With flow regulator valve with pressure compensation

### SWING

Hydraulic motor driven planetary gear reducer

Swing bearing

Swing free/lock changeover type

Hand brake

### OUTRIGGERS

Fully hydraulic H-type (floats mounted integrally)

Slides and jacks each provided with independent operation device.

Full extended width 6.3m

Middle extended width 5.0m, 3.6m

Minimum extended width 2.2m

### OPERATION METHOD

Hydraulic pilot valve operation

### MAX. OUTRIGGER LOAD

26.7t

### HYDRAULIC PUMPS

2 variable piston pumps

2 gear pumps

### HYDRAULIC OIL TANK CAPACITY

380 liters

### SAFETY DEVICES

Automatic moment limiter (AML)

Multi-display indication

Over-winding cutout

Working area control device

Outrigger extension width detector

Winch drum lock

Level gauge

Hook safety latch

Hydraulic safety valve

Telescopic counterbalance valve

Elevation counterbalance valve

Power tilt counterbalance valve

Jack pilot check valve

Swing lock

### EQUIPMENTS

Heat pump type air-conditioner

Hydraulic oil temperature indication lamp

Radio

Oil cooler

Tactile-type winch drum rotation indicator

Operation pedal for elevating operation

Centralized oiling device (carrier)

Television (option)

## CARRIER SPECIFICATIONS

### ENGINE

Model MITSUBISHI 6D16 (with turbo charger)  
 Type 4-cycle, 6-cylinder, direct-injection, water-cooled diesel engine  
 Piston displacement 7,545cc  
 Max. output 220PS at 2,800rpm  
 Max. torque 65.0kg·m at 1,600rpm

### TORQUE CONVERTER

3-element, 1-stage unit (with automatic lock-up mechanism)

### TRANSMISSION

Automatic and manual transmission  
 Power shift type (wet multi-plate clutch)  
 3 forward and 1 reverse speeds (with Hi/Low settings)

### REDUCER

Axle dual-ratio reduction

### DRIVE

2-wheel drive (4×2) / 4-wheel drive (4×4) selection

### FRONT AXLE

Full floating type

### REAR AXLE

Full floating type (with no-spin differential)

### SUSPENSION

Front Parallel leaf spring type  
 Rear Parallel leaf spring type

### STEERING

Fully hydraulic power steering  
 With reverse steering correction mechanism

### BRAKE SYSTEM

#### Service Brake

Hydro-pneumatic brake  
 Disk brake

#### Parking Brake

Mechanically operated, internal expanding duo-servo shoe type acting on drum at transmission case rear.

#### Auxiliary Brake

Hydrodynamic retarder  
 Electro-pneumatic operated exhaust brake.  
 Auxiliary braking device for operations

### FRAME

Welded box-shaped structure

### ELECTRIC SYSTEM

24 V DC, 2 batteries of 12V (120Ah)

### FUEL TANK CAPACITY

300 liters

### TIRES

Front 16.00R25☆☆(OR)  
 Rear 16.00R25☆☆(OR)

### CAB

Two-man type  
 With sun visor and trim  
 Rubber mounted type  
 Fully adjustable foldable seat  
 (with headrest, armrest, seat belt)  
 Adjustable handle (tilt, telescoping)  
 Roof windshield lock warning  
 Intermittent type roof wiper (with washer)

### SAFETY DEVICES

Emergency steering device  
 Spring lock device  
 Rear wheel steering lock device  
 Engine over-run alarm  
 Overshift prevention device  
 Parking brake alarm  
 Powered mirror for right side of boom  
 Monitor TV for left side of boom

## GENERAL DATA

### DIMENSIONS

Overall length	11,120mm
Overall width	2,620mm
Overall height	3,495mm
Wheel base	3,450mm
Tread Front	2,120mm
Rear	2,120mm

### WEIGHTS

Gross vehicle weight	
Total	26,400kg
Front	13,200kg
Rear	13,200kg

### PERFORMANCE

Max. traveling speed	49km/h
Gradeability (tan θ)	0.6
Min. turning radius	5.3m (4-wheel steering) 9.0m (2-wheel steering)

**TOTAL RATED LOADS**

(1) With outriggers set  
(i)

Unit:ton

Outriggers fully extended; ( 6.3 m )											
A \ B	9.5 m	16.5 m	23.5 m	30.5 m	C \ D \ E	8.0 m			13.0 m		
						5°	25°	45°	5°	25°	45°
2.5 m	25.0	19.0	12.5		83°	3.0	2.1	1.6	2.0	1.2	0.8
3.0 m	25.0	19.0	12.5	7.0	76°	3.0	2.1	1.6	2.0	1.2	0.8
3.5 m	25.0	19.0	12.5	7.0	72°	3.0	2.1	1.6	1.75	1.1	0.8
4.0 m	23.0	19.0	12.5	7.0	70°	2.8	2.1	1.6	1.65	1.05	0.8
4.5 m	21.2	18.0	12.5	7.0	65°	2.35	1.8	1.5	1.4	0.95	0.78
5.0 m	19.4	16.7	12.5	7.0	60°	2.0	1.55	1.35	1.2	0.9	0.75
5.5 m	17.8	15.6	11.75	7.0	55°	1.45	1.35	1.2	1.05	0.85	0.74
6.0 m	16.3	14.6	11.1	7.0	50°	1.05	1.0	0.95	0.85	0.75	0.7
6.5 m	15.1	13.8	10.5	7.0	45°	0.75	0.7	0.7	0.6	0.55	0.55
7.0 m	13.7	13.0	10.0	7.0	40°	0.55	0.5		0.4	0.4	
8.0 m		10.55	9.0	7.0	35°	0.38	0.35				
9.0 m		8.5	8.2	6.3							
10.0 m		7.05	7.3	5.8							
11.0 m		5.85	6.4	5.3							
12.0 m		4.95	5.5	4.9							
13.0 m		4.2	4.75	4.5							
14.0 m		3.6	4.1	4.15							
15.0 m			3.6	3.8							
16.0 m			3.15	3.45							
17.0 m			2.8	3.05							
18.0 m			2.45	2.7							
19.0 m			2.15	2.45							
20.0 m			1.9	2.2							
21.0 m			1.7	1.95							
22.0 m				1.75							
24.0 m				1.4							
26.0 m				1.15							
28.0 m				0.95							

A = Boom length  
 B = Working radius  
 C = Jib length  
 D = Jib offset  
 E = Boom angle

(ii)

Unit:ton

Outriggers middle extended ( 5.0 m )													-Over sides-
A B	9.5m	16.5m	23.5m	30.5m	C D E	8.0m			13.0m				
						5°	25°	45°	5°	25°	45°		
2.5 m	25.0	19.0	12.5		83°	3.0	2.1	1.6	2.0	1.2	0.8		
3.0 m	25.0	19.0	12.5		76°	3.0	2.1	1.6	2.0	1.2	0.8		
3.5 m	25.0	19.0	12.5	7.0	72°	3.0	2.1	1.6	1.75	1.1	0.8		
4.0 m	23.0	19.0	12.5	7.0	70°	2.8	2.1	1.6	1.65	1.05	0.8		
4.5 m	21.2	18.0	12.5	7.0	65°	2.0	1.8	1.5	1.4	0.95	0.78		
5.0 m	18.4	16.7	12.5	7.0	60°	1.3	1.15	1.1	1.0	0.9	0.75		
5.5 m	15.4	15.0	11.75	7.0	55°	0.8	0.75	0.75	0.65	0.6	0.5		
6.0 m	13.0	12.6	11.1	7.0	50°	0.5	0.45	0.45	0.4	0.35	0.3		
6.5 m	11.2	10.8	10.5	7.0									
7.0 m	9.5	9.4	10.0	7.0									
8.0 m		7.3	8.0	7.0									
9.0 m		5.85	6.5	6.3									
10.0 m		4.75	5.4	5.6									
11.0 m		3.9	4.55	4.8									
12.0 m		3.3	3.85	4.15									
13.0 m		2.75	3.3	3.55									
14.0 m		2.3	2.85	3.1									
15.0 m			2.45	2.7									
16.0 m			2.1	2.35									
17.0 m			1.8	2.1									
18.0 m			1.55	1.8									
19.0 m			1.35	1.6									
20.0 m			1.15	1.4									
21.0 m			0.95	1.2									
22.0 m				1.05									
24.0 m				0.75									
26.0 m				0.5									

**A = Boom length**  
**B = Working radius**  
**C = Jib length**  
**D = Jib offset**  
**E = Boom angle**

(iii)

Unit:ton

Outriggers middle extended ( 3.6 m )												-Over sides-
A \ B	9.5m	16.5m	23.5m	30.5m	C \ D \ E	8.0m			13.0m			
						5°	25°	45°	5°	25°	45°	
2.5 m	25.0	19.0	12.5		83°	3.0	2.1	1.6	2.0	1.2	0.8	
3.0 m	25.0	19.0	12.5		76°	3.0	2.1	1.6	2.0	1.2	0.8	
3.5 m	20.5	19.0	12.5	7.0	72°	2.2	1.8	1.6	1.75	1.1	0.8	
4.0 m	16.0	15.7	12.5	7.0	70°	1.8	1.5	1.35	1.4	1.05	0.8	
4.5 m	12.8	12.6	12.5	7.0	65°	1.0	0.9	0.8	0.8	0.65	0.55	
5.0 m	10.7	10.5	11.0	7.0	60°	0.5	0.45	0.4	0.4	0.35	0.3	
5.5 m	9.05	8.8	9.4	7.0								
6.0 m	7.7	7.6	8.2	7.0								
6.5 m	6.6	6.5	7.25	7.0								
7.0 m	5.8	5.6	6.4	6.5								
8.0 m		4.4	5.05	5.3								
9.0 m		3.4	4.05	4.35								
10.0 m		2.7	3.3	3.65								
11.0 m		2.15	2.75	3.05								
12.0 m		1.7	2.3	2.6								
13.0 m		1.3	1.9	2.2								
14.0 m		1.0	1.6	1.85								
15.0 m			1.35	1.55								
16.0 m			1.1	1.3								
17.0 m			0.9	1.05								
18.0 m			0.7	0.9								
19.0 m			0.5	0.7								
20.0 m				0.55								

**A = Boom length**  
**B = Working radius**  
**C = Jib length**  
**D = Jib offset**  
**E = Boom angle**

(iv)

Unit:ton

Outriggers minimum extended(2.2 m) --Over sides-				
A \ B	9.5m	16.5m	23.5m	30.5m
2.5 m	12.2	12.0	10.0	
3.0 m	12.2	12.0	10.0	
3.5 m	9.5	9.2	10.0	5.6
4.0 m	7.7	7.25	7.9	5.6
4.5 m	6.3	5.9	6.5	5.6
5.0 m	5.2	4.9	5.5	5.6
5.5 m	4.4	4.1	4.65	4.8
6.0 m	3.8	3.5	4.0	4.2
6.5 m	3.2	2.9	3.45	3.7
7.0 m	2.75	2.5	3.0	3.25
8.0 m		1.75	2.3	2.55
9.0 m		1.2	1.8	2.0
10.0 m		0.75	1.4	1.6
11.0 m			1.0	1.2
12.0 m				0.9

A = Boom length  
B = Working radius

**PRECAUTIONS TO BE TAKEN WHEN THE OUTRIGGERS ARE EXTENDED:**

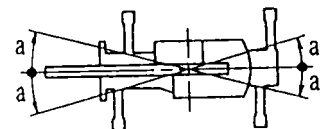
1. The total rated loads shown are for the case when the outriggers are set horizontally on firm ground. The values above the bold lines are based on the crane strength while those below are based on the crane stability.
2. The weights of slings and hooks (main winch hook: 260kg, Intermediate hook: 170kg, auxiliary winch: 60kg) are included in the total rated loads shown.
3. The total rated load is based on the actual working radius including the deflection of the boom.
4. The chart below shows the standard number of part lines for each boom length. The load per line should not exceed 3.2t for the main winch and 3.0t for the auxiliary winch.

A	9.5m	16.5m	23.5m	30.5m	J
H	8	6	4	4	1

A = Boom length H = No. of part-line J = Jib / Single top

5. As a rule, free-fall operation should be performed only when lowering the hook alone. If a hoisted load must be lowered by free-fall operation, the load must be kept below 1/5th of the total rated load and sudden braking operations must be avoided.
6. The total rated load for the single top shall be the value obtained by subtracting 200kg from the total rated load of the boom and must not exceed 3.0t.
7. The hoisting performance for the "Over sides" range will differ according to the extended width of the outriggers. Operations should be performed in accordance with the performance corresponding to the extended width. Also, although the hoisting performances for the "Over front" and "Over rear" ranges are equivalent to those of the "Outriggers fully extended" condition, the front and rear ranges (angle a) will differ according to the width to which the outriggers are extended in the left and right directions.

Extended width	Middle extended (5.0m)	Middle extended (3.6m)	Minimum extended
Angle a°	25	15	5



## (2) Without outriggers

Unit:ton

B ( m )	Stationary						Creep (travelling at 1.6km/h or less)					
	9.5 m BOOM		16.5 m BOOM		23.5 m BOOM		9.5m BOOM		16.5m BOOM		23.5m BOOM	
	F	G	F	G	F	G	F	G	F	G	F	G
3.0	14.0	9.0	9.0	7.3			10.5	7.0	7.5	5.1		
3.5	14.0	7.6	9.0	7.3	6.5	4.5	10.5	6.2	7.5	5.1	5.5	3.2
4.0	12.5	6.3	9.0	5.85	6.5	4.5	9.5	5.3	7.5	4.9	5.5	3.2
4.5	10.9	5.2	9.0	4.75	6.5	4.5	8.7	4.4	7.5	3.95	5.5	3.2
5.0	9.55	4.3	8.2	4.0	6.5	4.3	8.0	3.6	7.0	3.3	5.5	3.2
5.5	8.3	3.6	7.4	3.3	6.1	3.7	6.9	3.0	6.2	2.7	5.15	3.1
6.0	7.2	3.0	6.6	2.8	5.65	3.2	5.9	2.5	5.5	2.3	4.8	2.7
6.5	6.25	2.5	5.9	2.35	5.25	2.75	5.1	2.1	4.9	1.9	4.45	2.3
7.0	5.2	2.0	5.25	1.95	4.85	2.4	4.3	1.7	4.35	1.6	4.15	2.0
8.0			4.1	1.4	4.1	1.8			3.4	1.1	3.5	1.5
9.0			3.25	0.95	3.5	1.4			2.7	0.7	2.95	1.1
10.0			2.6	0.6	3.0	1.05			2.15		2.45	0.8
11.0			2.1		2.55	0.75			1.7		2.05	0.6
12.0			1.7		2.2				1.35		1.7	
13.0			1.35		1.85				1.1		1.45	
14.0			1.0		1.55				0.8		1.2	
15.0					1.3						1.0	
16.0					1.05						0.85	
17.0					0.85						0.7	
18.0					0.65						0.55	
19.0					0.5							

B = Working radius F = Front G = 360°



**PRECAUTIONS TO BE TAKEN WHEN THE OUTRIGGERS ARE NOT MOUNTED:**

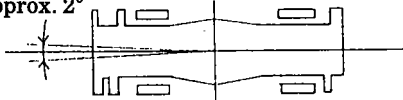
1. The total rated loads shown are for the case when the crane is set horizontally on firm ground, with the air pressure of the tires being at the prescribed pressure and with the spring lock being applied completely. The values above the bold lines are based on the tire strength while those below are based on the crane stability. The foundation, working conditions, etc. should be taken into consideration adequately when using the crane for actual work.  
(Tire air pressure; 8.0Kg/cm<sup>2</sup>)
2. The weights of the slings and hooks are included in the total rated loads shown.
3. The total rated loads are based on the actual working radii into which are included the deflection of the boom and the tires.
4. The chart below shows the standard number of part lines for each boom length. The load per line should not exceed 3.2t for the main winch and 3.0t for the auxiliary winch.

<b>A</b>	9.5 m	16.5 m	23.5 m	<b>Single top</b>
<b>H</b>	8	6	4	1

A = Boom length H = No. of part-line

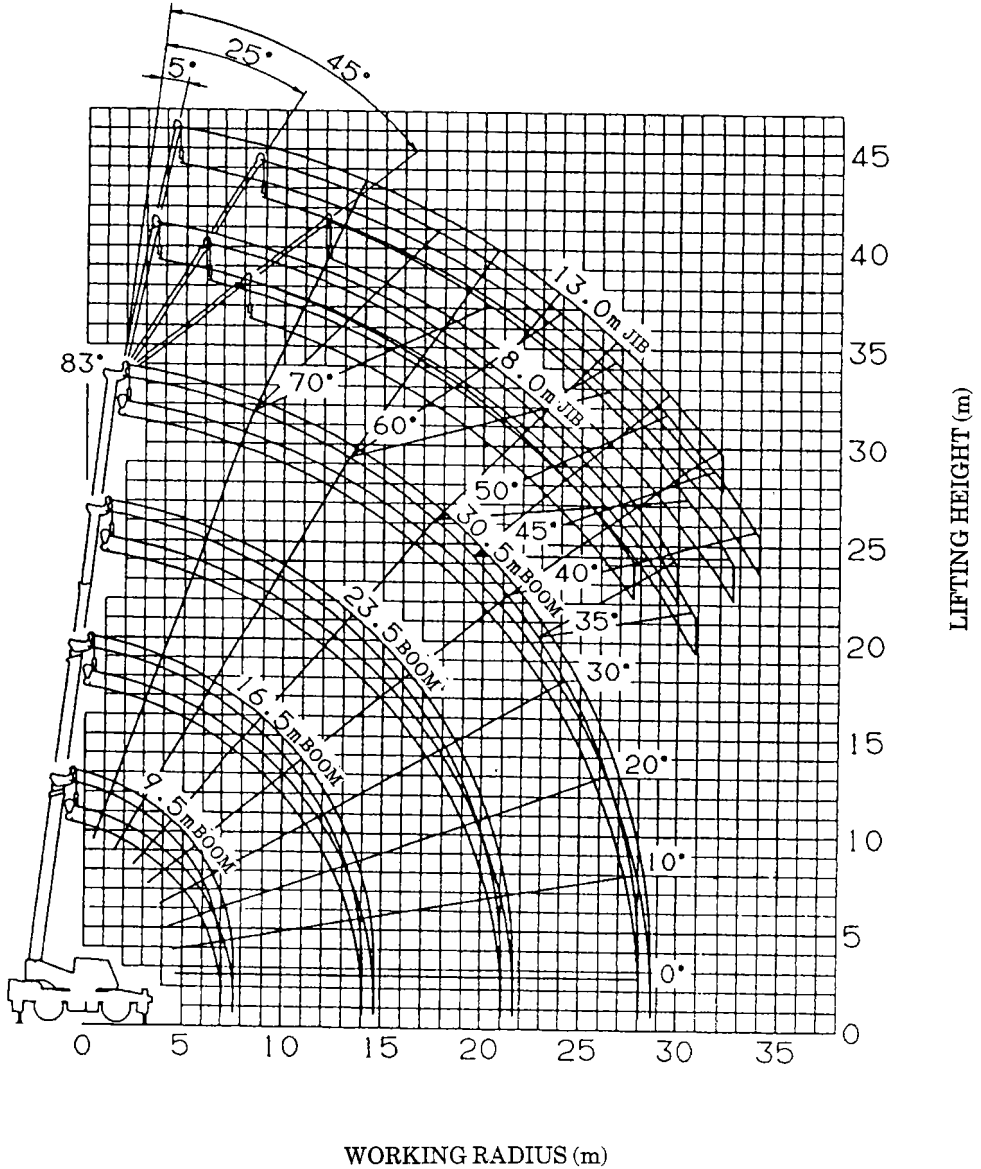
5. The total rated load for the single top shall be the value obtained by subtracting 200kg from the total rated load of the boom and must not exceed 3.0t.
6. Free-fall operations should not be performed without outriggers.
7. Booms over 30.5m in length and jibs should not be used without outriggers.
8. "Over front" crane operations should be performed with the boom being inside a 2° area (1° each to the left and right) over front of the carrier.

Approx. 2°



9. When creeping while hoisting a load, the swing brake should be applied, the load should be kept as close to the ground as possible but not touching the ground and the speed should be kept at 1.6km/h or less. In particular, any abrupt steering, starting or braking must be avoided.
10. Crane operations should not be performed when creeping while hoisting a load.

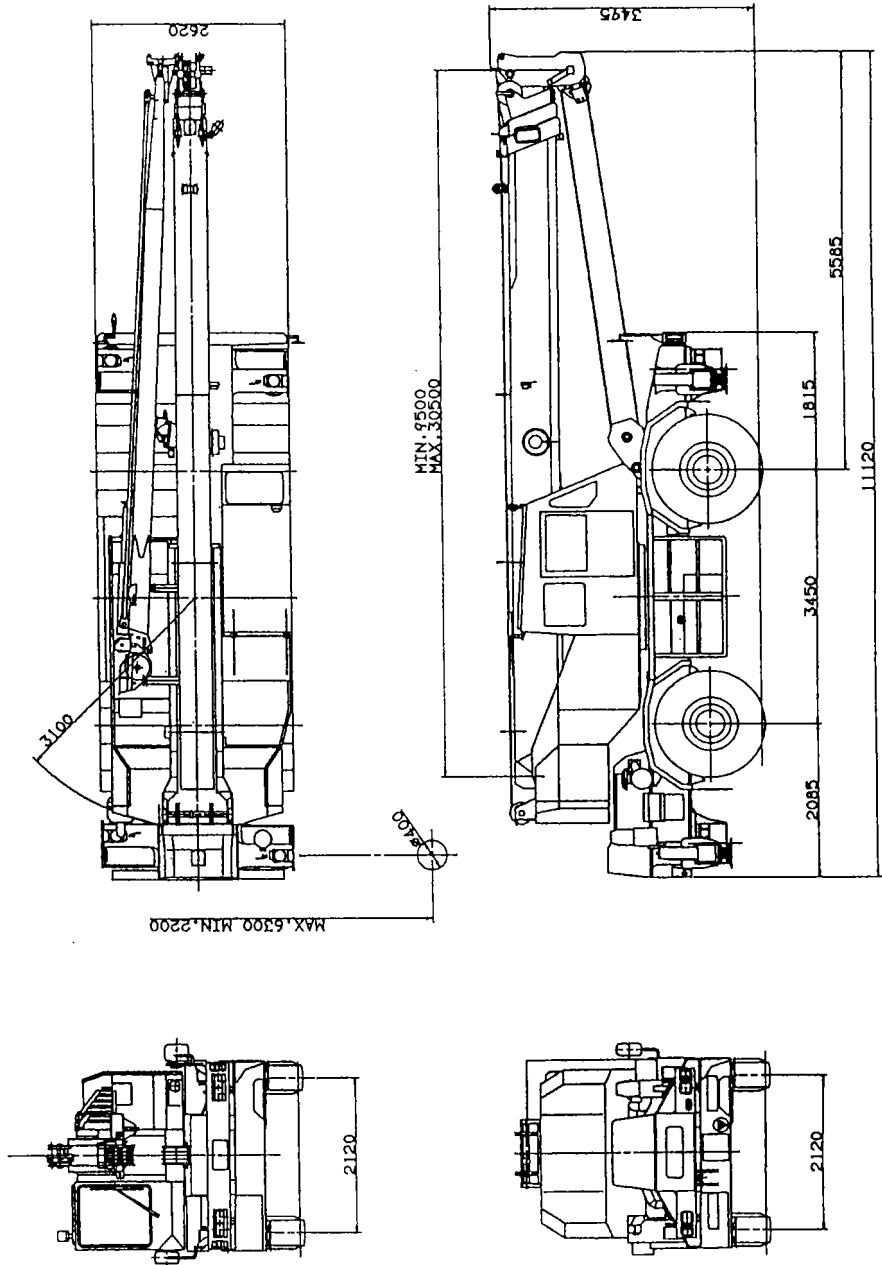
**WORKING RADIUS - LIFTING HEIGHT**



**NOTES:**

1. The deflection of the boom is not incorporated in the figure above.
2. The figure above is for the case when the outriggers are fully extended (360°).

**DIMENSIONS** (1/100)



◆ MEMO ◆

A series of horizontal dashed lines for writing a memo.